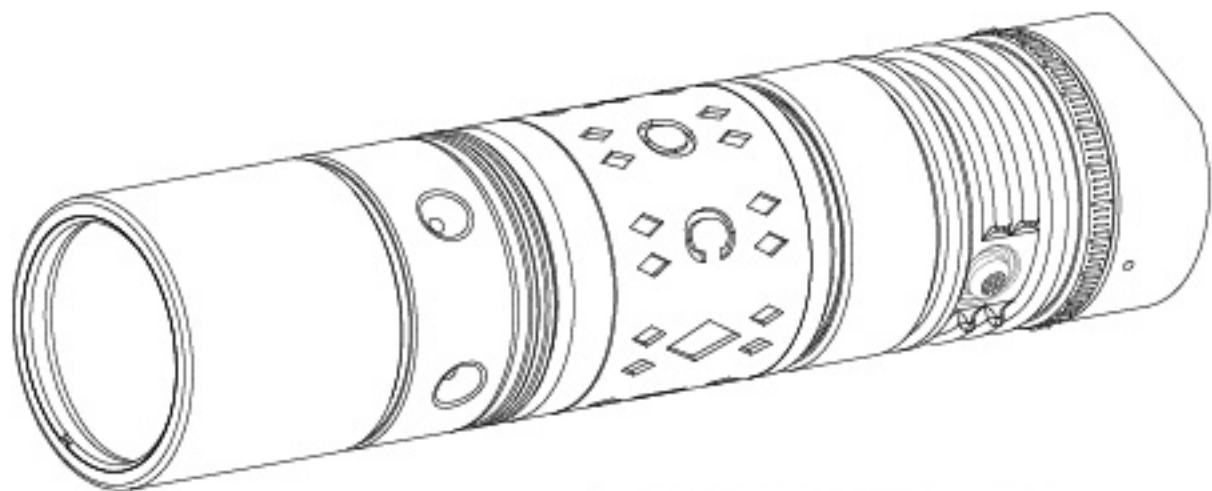


IDEALLYTE™

COLOR-ADJUSTABLE FLASHLIGHT

DIGITAL **COMPOSITION**
SPECTRUM



CE FC **RoHS**



LILYROC

UNIQUE FEATURES:

1

- Light Color, Intensity and Strobing Manually Adjustable
- Two Work Modes: White-Light Mode and Full-Color Mode
- Color Temperature Continuously Adjustable in White-Light Mode with High Color Rendering Index
- Color Freely Adjustable in Full-Color Mode
- Illumination Data Memory with Embedded EEPROM
- Advanced Power Management Unit Inside
- Aluminum 6061-T6 Construction with Hard Anodizing
- Weather Resistant
- Automatically Shut Down after 10 Minute No Action

SPECIFICATIONS:

Size	Φ25.4 X L 108mm	Output	0 ~ 80 lumens
Weight	75 g	Battery	CR123A 3V

APPLICATIONS:

Household



Education



Law Enforcement



Outdoor



Everyday Carry



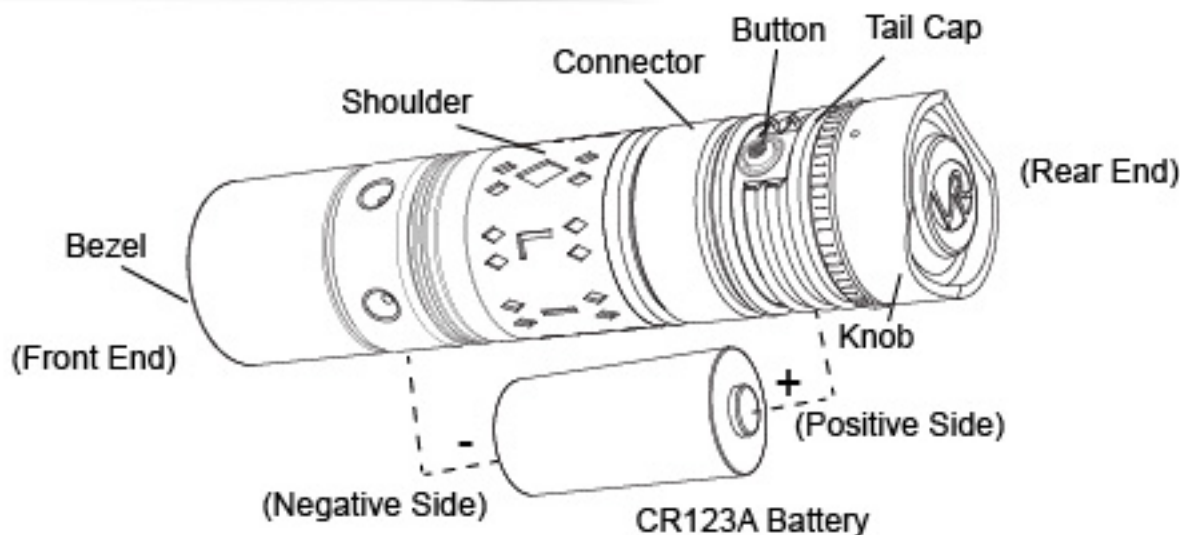
Party



Industry

UNDERSTANDING THE LIGHT:

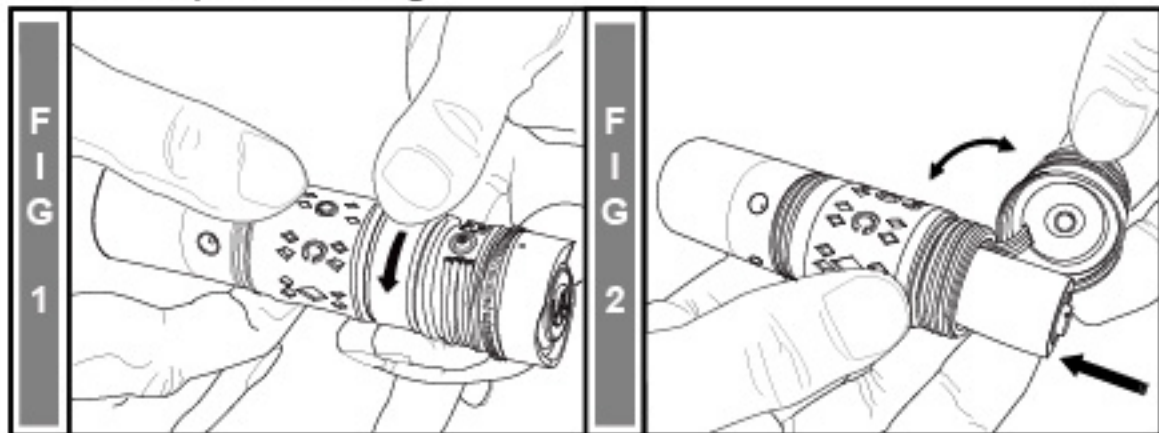
2



INSTALLING BATTERY:

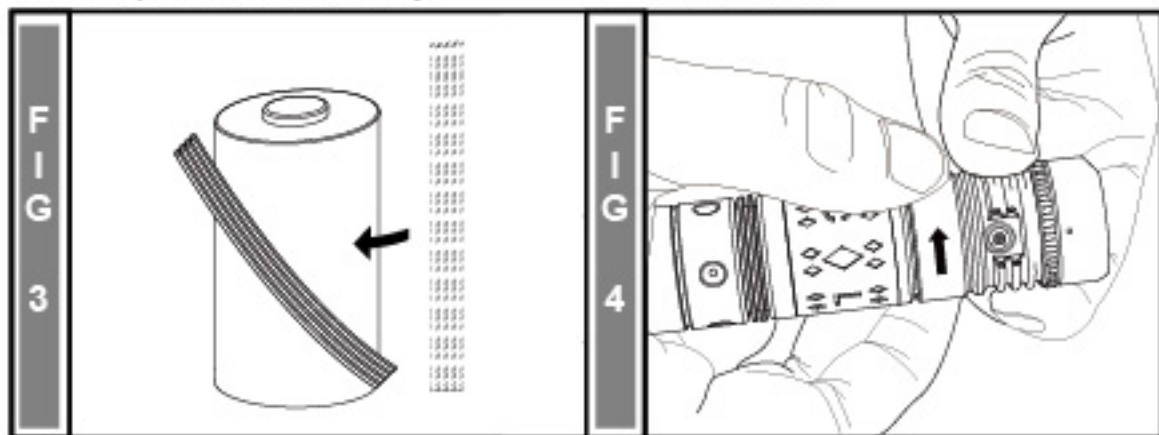
1. Hold the light in right hand, and rotate the Connector with the left hand counter-clockwise to open the housing.

2. Put the battery into the housing with positive side facing the rear end.



3. Align the Connector with the threaded portion of the housing, and slightly move the Tail Cap so that the cable wrap around the battery.

4. Tighten the the Connector by rotating it clockwise till seeing the light is on, and make sure the Tail Cap NOT rotate with the Connector.

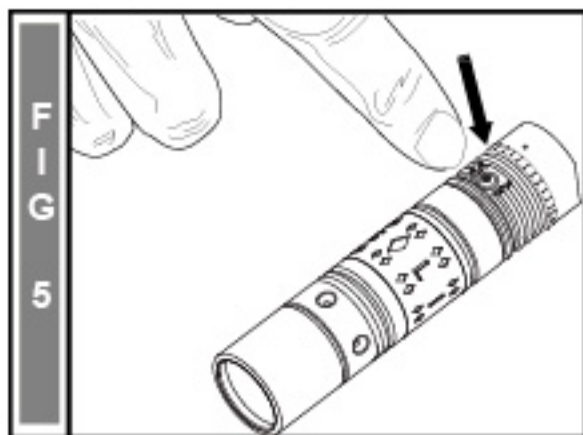


TURNING LIGHT ON/OFF:

1. The light is automatically on once the Connector is tightened.

2. Push the Button shortly (less than 1 second) to turn the light on or off.

3. When not in use for long time or for safety in travel, back out the Connector 1 or 2 revolutions to cut off the circuit.

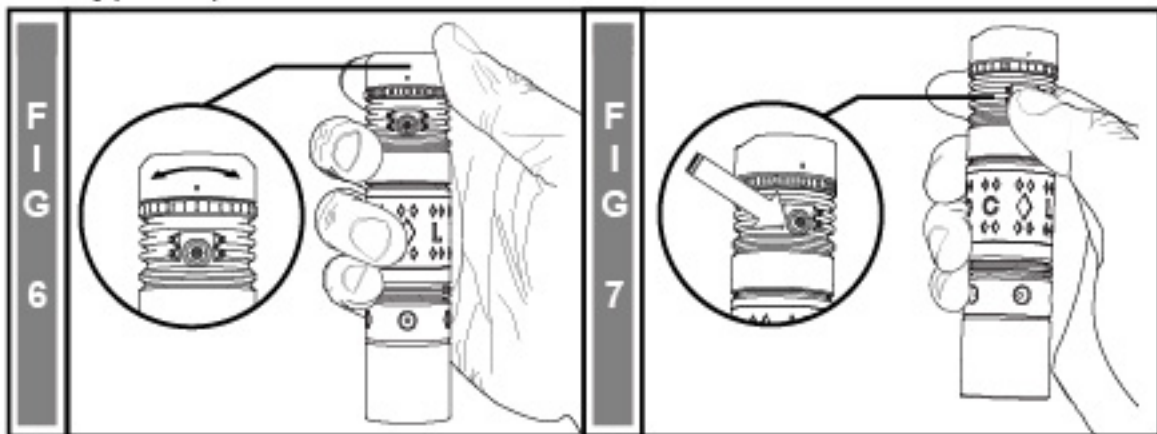


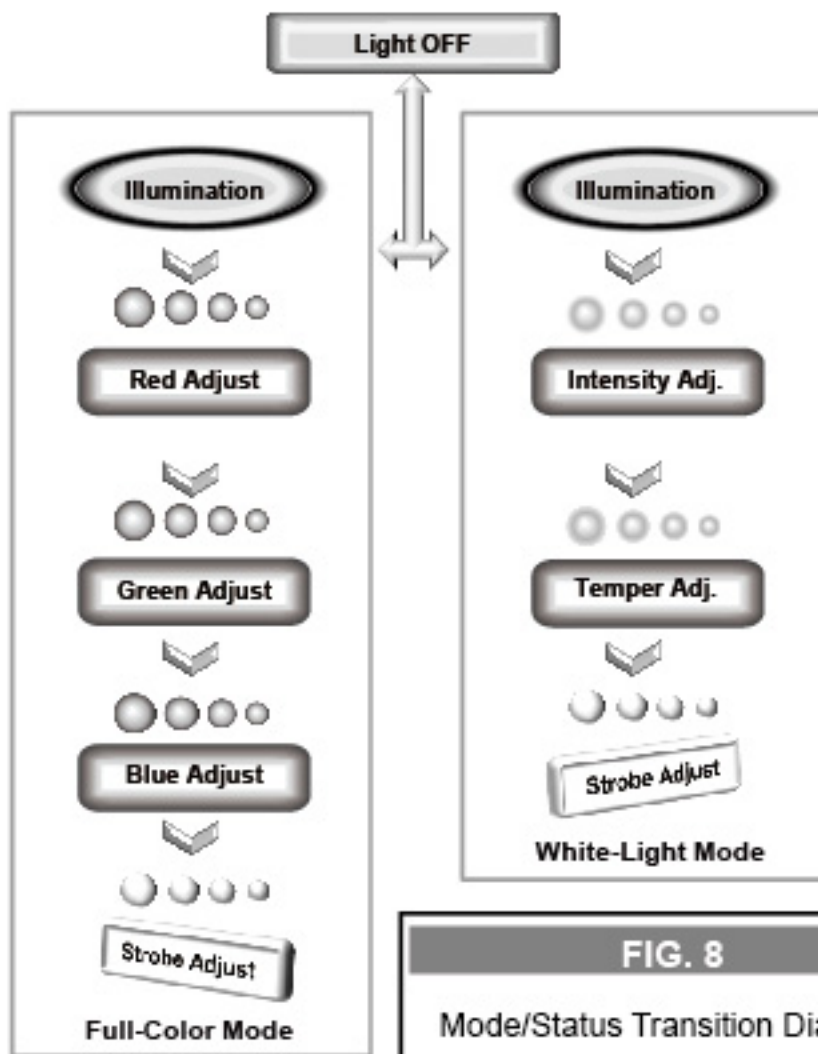
CHANGING THE WORK MODE:

Push the Button for more than 3 seconds to switch between White-Light mode and Full-Color mode.

ADJUSTING THE OUTPUT:

1. In White-Light mode, push the Button for about 2 seconds to transit between the statuses sequentially: Regular Illumination, Intensity Adjust, Color Temperature Adjust, and Strobing Adjust(FIG. 8).
2. In Full-Color mode, push the Button for about 2 seconds to transit between the statuses sequentially: Regular Illumination, Red Adjust, Green Adjust, Blue Adjust, and Strobing Adjust(FIG. 8).
3. In each mode, after Strobing Adjust push the Button for about 2 seconds to get back into Regular Illumination.
4. Before entering each adjust status, the output light will blink for 3 seconds in respective color as shown in FIG. 8.
5. In each adjust status, rotate the Knob to view the real-time output change (FIG. 6), and push the Button shortly (less than 1 second) to save the output in memory(FIG. 7).





WARRANTY POLICY:

One year limited warranty. For warranty or service request, you may send an email to service@lilyroc.com or fill out a request form at www.lilyroc.com.